

Freshen & Treat Your Indoor Air

NATURALLY CONTROL AIRBORNE CONTAMINANTS



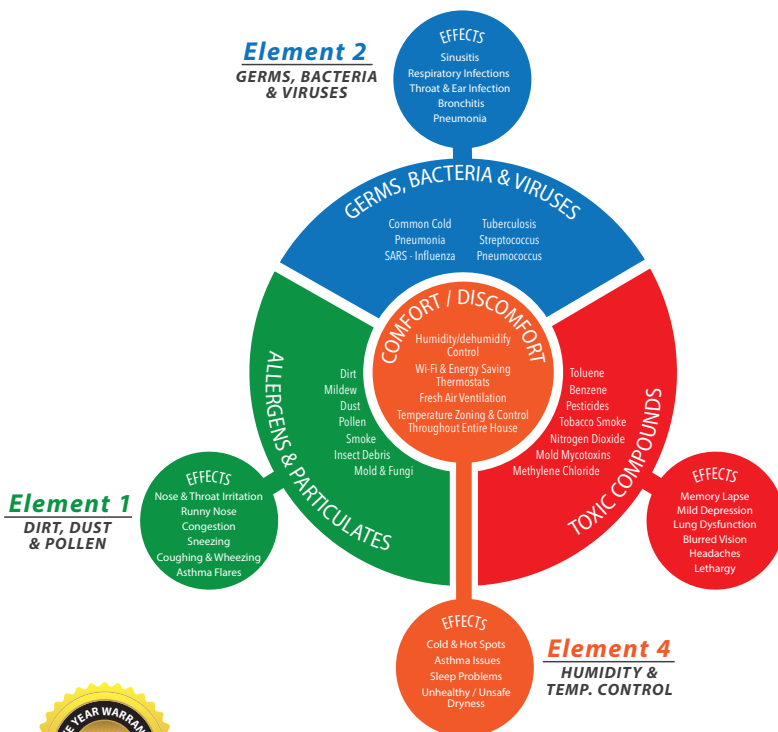
Ion Plasma System™ Bi-Polar Ionic Air Treatment

PRODUCT DETAILS

The Bi-Polar, Ion Plasma Air Treatment System is a natural air treatment device that features active ion plasma to help freshen & treat your indoor air. Its' unique "Venturi Emission" system optimizes ion output to help control airborne odors, gases & particulates. It is designed to be installed in your central heating & cooling system to help treat your indoor air as well as control the buildup of biofilms on your indoor cooling coil. Ion plasma is a well-known, natural method to help control airborne contaminants.

FEATURES

- Ideal for all HVAC systems
- Dual function magnetic base
- Convenient 24 volt connection
- LED light to Confirm operation
- 4 self cleansing venturi ion tubes
- 5 year warranty



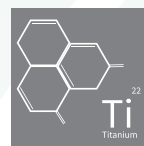
This Product Controls



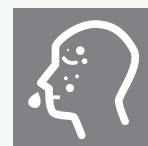
The EPA has ranked indoor air pollution among the top five environment dangers to the public.



ENERGY AWARE



AIR SCRUBBER



ALLERGIES

APPLICATION

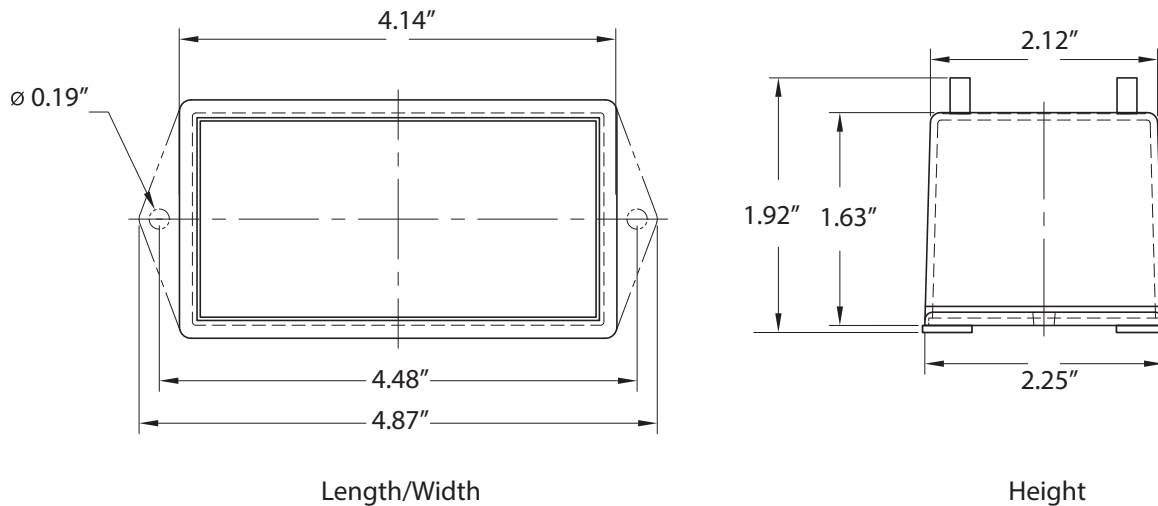
- Naturally controls airborne contaminants
- For sensitive individuals
- Protects equipment



Bi-Polar Ion Plasma System™ - SPECIFICATION CHART

ELECTRICAL POWER	PART CODE	PLASMA UNIT DIMENSIONS	BI-POLAR ION EMISSION	MAGNETIC BASE	SELF CLEANSING	CFM RATING	HIGH TEMP	AMP DRAW	ION OUTPUT
24 Vac	NH-IPS-24	4"L X 2"W X 2"H	Yes	Yes	Yes	Up to 6000	Yes	1.5	7M
24 Vac	NH-IPSD-24	4"L X 2"W X 2"H	Yes	Yes	Yes	Up to 6000	Yes	1.5	7M

PRODUCT SCHEMATIC



INSTALLATION INSTRUCTIONS

1. Turn off all power to the heating or cooling system.
2. This system has a dual function installation base. It features 4 powerful magnets for installation ease. The Unit can be quickly attached to any metal surface.
3. As an installation option two self-taping screws are included for the dual base flanges. If this style of installation is needed or preferred simply insert screws into the side flange holes & attach to the desired location. (see above)
4. It is preferred to install the Ion Plasma unit downstream of the Jvac system air filter & upstream of the system cooling coil. This unit will operate up to 2400 CFM or 6 tons.
5. This unit can also be mounted in the air duct.
6. This unit has designed features that optimize your installation to avoid electrical "bleeding". Be sure that the 4 ion needles are not touching any metal surface or system wires. this will affect performance. We recommend a 4" (four inch) space for optimum performance.
7. Next - connect the voltage supply wires to a 24 volt transformer or 24 volt power supply, AC or DC. Connect the red wire to the power terminal & the black wire to the neutral terminal. NOTE: if the transformer has a grounded circuit, be sure to connect the black wire to the ground terminal. The Ion Plasma system can be wired "hot". It is important to tie off any surplus wire so they are away from the ion tubes.
8. Reconnect system power. Check that unit LED is on.

SAFETY NOTES

- The use of personal protective equipment is always recommended
- READ AND FOLLOW ALL INSTRUCTIONS.
- Do not touch or go near the four venturi ion tubes while the unit is under power.
- Do not clean needles if unit is under power. Disconnect all power prior to any service work.

