

Easy Upgrade for Great Efficiency



WORKS WITH
STANDARD AND SOME
COMMUNICATING
HVAC SYSTEMS



Comfort Sentry™ 4/2 HD-Universal 4-Wire Thermostat

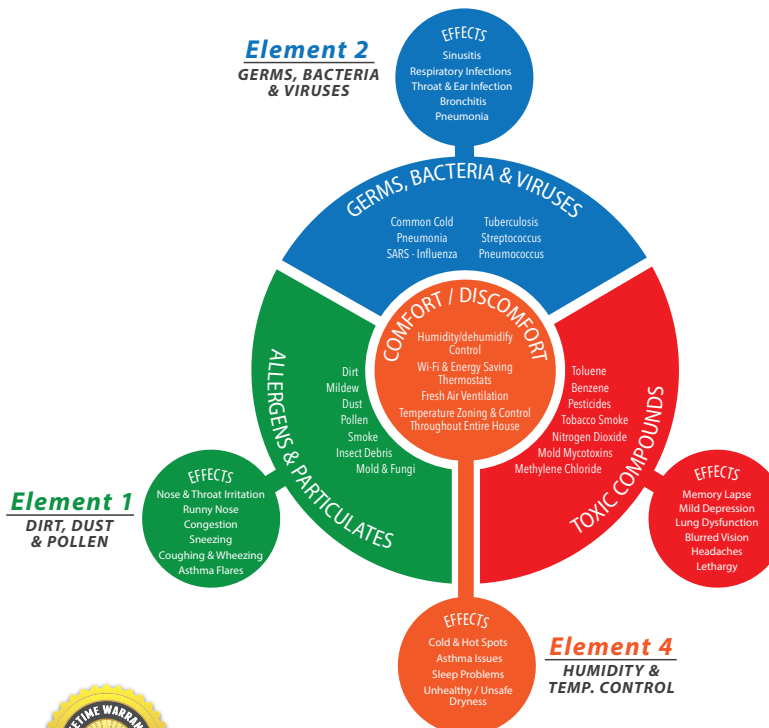
PRODUCT DETAILS

The Comfort Sentry Universal 4-Wire Thermostat is a quick and cost-effective means to achieving greater efficiency for your heating and cooling system. The sharp full-color screen makes reading and programing the thermostat a snap. Seven day programming allows you to set your HVAC system around your life, saving money and maximizing comfort.

- Makes controlling and programing your thermostat easy and simple
- Saves money by allowing you to reduce heating and cooling when not at home
- Easy-to-read color screen

FEATURES

- 4 Heat/2 Cool- Dual Fuel
- Humidification and de-humidification control
- Thin profile with sharp color display
- Interchangeable Faceplates (Silver and White)



This Product Controls
1 2 3 4

The EPA has ranked indoor air pollution among the top five environment dangers to the public.



TEMPERATURE CONTROL



PROGRAMMABLE



ENERGY AWARE

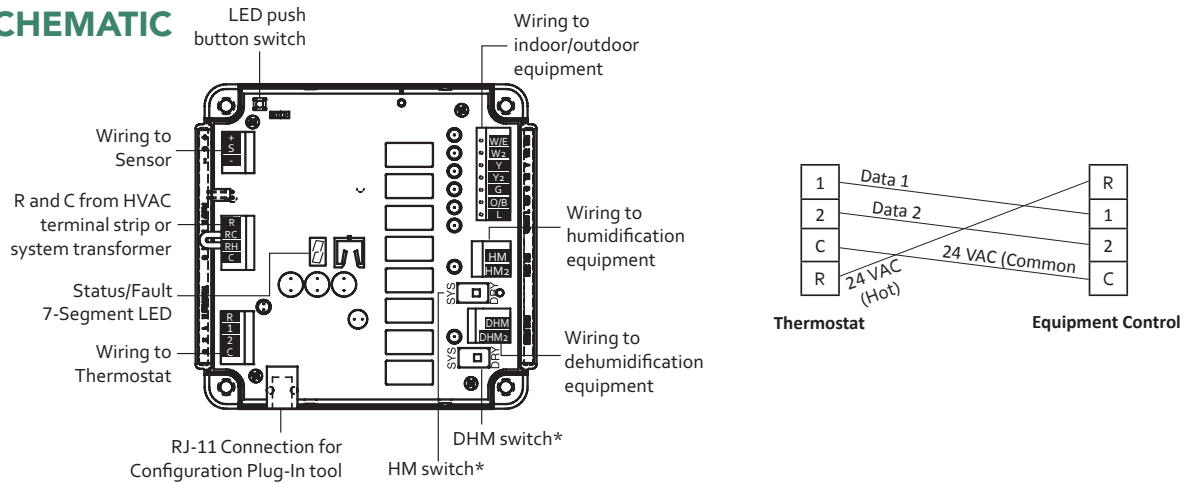
APPLICATION

- Easy Install and Setup to upgrade any standard system without running new wires



CONFIGURATION OPTIONS	APPLICATIONS	MAXIMUM STAGES
Single Stage	Gas, Oil, Electric, Heat Only, Cool Only or Heat Cool System	1/1
Multi Stage	Gas, Oil, Electric, Heat Only, Cool Only or Heat Cool Systems	2/2
Heat Pump	Single or Two Compressor Systems with up to 2 Stages of Aux / Em Heat	4/2
Heat Pump with Dual Fuel	Single or Two Compressor Systems with up to 2 Stages of Fossil fuel Heat	4/2

PRODUCT SCHEMATIC



INSTALLATION INSTRUCTIONS

EQUIPMENT CONTROL

1. Mount Equipment Control on wall or exterior surface of HVAC equipment. Control has four mounting holes.
2. Wall anchors and screws are provided for mounting on drywall. Drill 3/16" hole for drywall mounting.
3. See diagram for proper wiring.

THERMOSTAT

1. Pull the thermostat body off the thermostat base. Forcing or prying on the thermostat will cause damage to the unit.
2. Place base over hole in wall and mark mounting hole locations on wall using base as a template.
3. Move base out of the way. Drill mounting holes. If you are using existing mounting holes and the holes drilled are too large and do not allow you to tighten base snugly, use plastic screw anchors to secure the base.
4. Fasten base snugly to wall using mounting holes and two mounting screws. Leveling is for appearance only and will not affect thermostat operation.
5. Connect wires to terminal block on base using appropriate wiring schematic.
6. Push excess wire into wall and plug hole with a fire resistant material (such as fiberglass insulation) to prevent drafts from affecting thermostat operation.
7. Carefully line the thermostat up with the base and snap into place.

SAFETY NOTES

- Always turn off the power to the heating and cooling system before handling the thermostat wires.
- Make sure all wires are screwed in tightly and securely.

