

Maintain Proper Indoor Humidity For Greater Comfort

CS1000M-NH
CS1000A-NH



Comfort Sentry™ Elite Flow-Through Humidifier

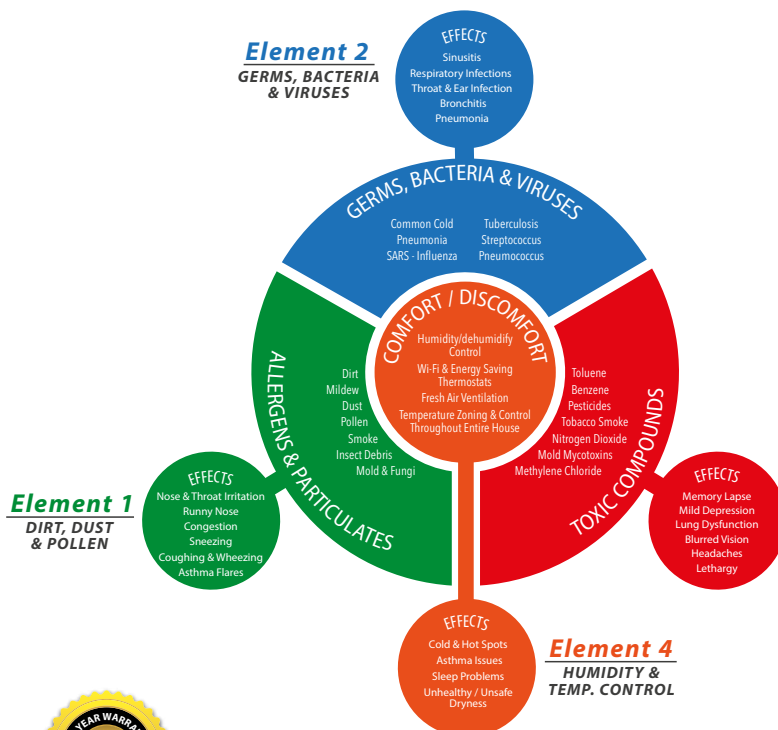
PRODUCT DETAILS

The Comfort Sentry™ Elite Flow-Through Humidifier 1000 adds moisture into the airflow of your heating system, providing comfort as it humidifies your home. Between 40% to 60% relative humidity is ideal for today's homes. Outside of this range, bacteria, fungi, viruses and mites thrive. This fan-powered humidifier provides a healthier environment for your woodwork, furniture, plants, pets, and your family.

- Reduces heating costs
- Protects valuables such as woodwork, furniture, artwork, and electronics
- Great for indoor plants and pets

FEATURES

- Available with automatic control (#CS1000A-OH) or a manual duct-mounted humidistat (Part#CS1000M)
- 18 GPD bypass humidifying up to 3000 sq. ft.
- Easy to remove from housing and easy to install
- Reinforced tabs and heat treated reinforced plastic
- 10 year warranty



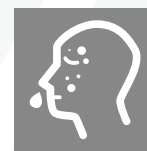
This Product Controls

- 1
- 2
- 3
- 4

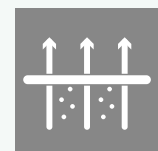
The EPA has ranked indoor air pollution among the top five environment dangers to the public.



HUMIDIFIER



ALLERGIES



AIR CLEANER

APPLICATION

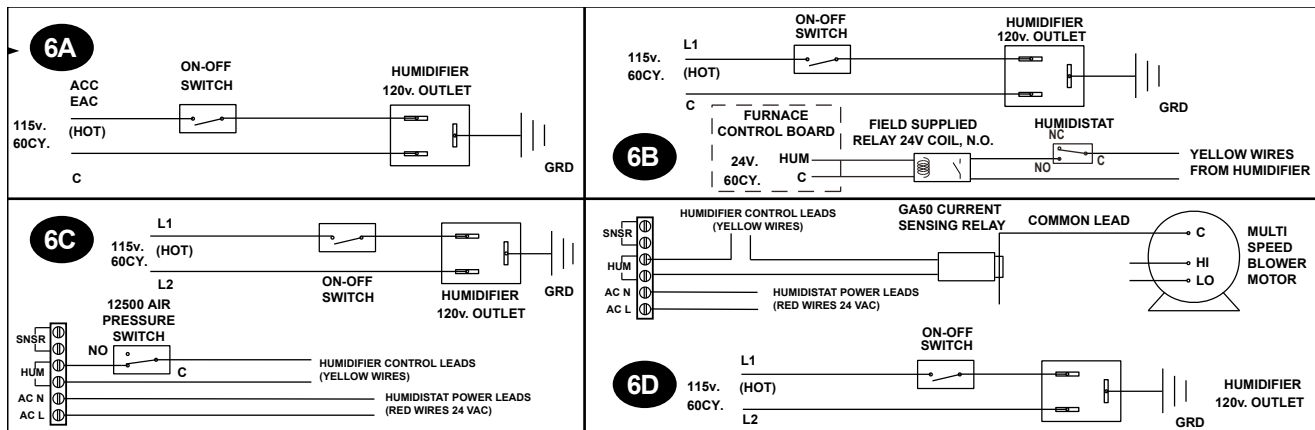
- Relief for allergy and asthma symptoms
- Reduce dry or itchy skin caused by dry air
- More comfortable indoor air that feels warmer



Humidifier Performance Baseline Criteria

Outside Design Temp.: 0° F (-18° C)	Inside Design R.H.: 30% R.H.	Furnace Plenum Temp.: 120° F (49° C)
Outside Design R.H.: 70% R.H.	Air Changes/hour (AC/H): 0.30	Furnace run time for calculating sq. ft.: 8hr/1 day
Inside Design Temp.: 70° F (21° C)	Ceiling Height: 8 ft	Voltage 120 VAC @ 60 Hz

PRODUCT SCHEMATIC



INSTALLATION INSTRUCTIONS

1. Select location on vertical surface of warm air plenum of a forced air handling system for mounting humidifier that allows for service and maintenance. Do not install humidifier where the blanked off ends of a cooling coil will restrict air flow to the humidifier. Cut out a square section 12-1/8" tall by 14-1/8" wide.
2. Open cover and remove evaporator pad assembly. Humidifier chassis is self retaining, slide top side in first then slide chassis down. Level chassis and install eight screws.
3. Mount the self tapping saddle valve on either a cold or a hot water pipe. A side or top mount is best to avoid clogging from pipe sediment. Connect 1/4" O.D. tubing to the saddle valve. Copper tubing requires a brass compression nut and brass sleeve. Plastic tubing requires a brass insert inside the tubing in addition to a plastic ferrule and brass nut.
4. Connect 1/4" water supply tube to inlet of solenoid. Connect drain hose to 1/2" spout on humidifier cabinet using hose clamp if necessary. Run 1/2" hose to suitable drain such as floor drain, sewer or laundry sink. Be sure hose has continuous slope and is not kinked at any point.
5. Install code-valve (automatic model only).
6. Wire unit using appropriate diagram (above) and in accordance with local ordinances.
 - a. Manual model with furnace circuit board
 - b. Manual model with contact power to humidity
 - c. Automatic model with pressure sensing
 - d. Automatic model with electronic humidistat
7. Replace evaporator pad assembly and humidifier cover. Insert low voltage six connector wiring harness from cover into chassis solenoid harness.

SAFETY NOTES

- Do not use plastic tubing on hot water or in contact with any hot plenum surface or duct.
- Installation of this saddle valve must meet or exceed local codes and ordinances.

