

Maintain Proper Indoor Humidity For Greater Comfort

CS900A-NH
CS900M-YH



Comfort Sentry™ Elite Flow-Through Humidifier

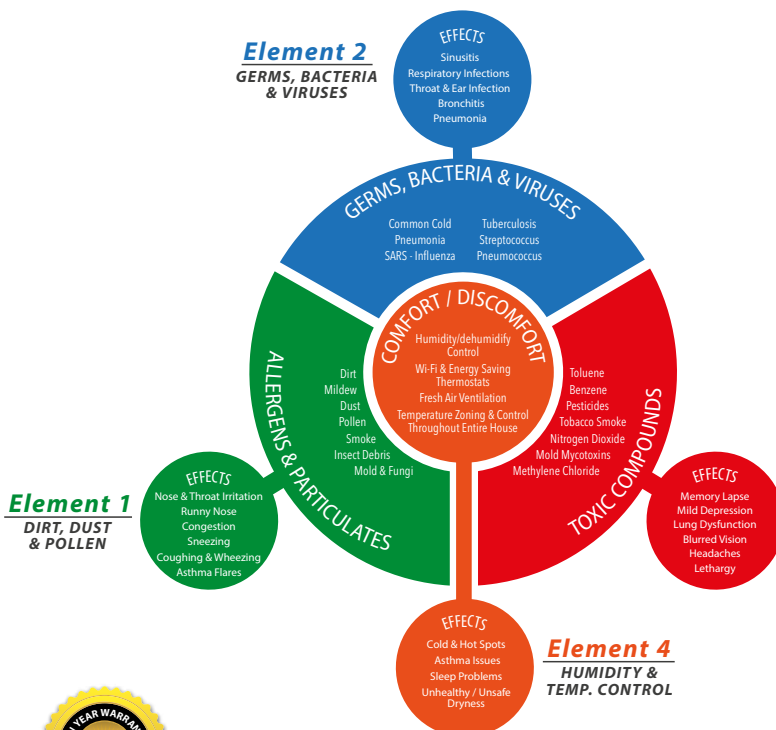
PRODUCT DETAILS

The Comfort Sentry™ Elite Flow-Through Humidifier 900 adds moisture into the airflow of your heating system, providing comfort as it humidifies your home. Between 40% to 60% relative humidity is ideal for today's homes. Outside of this range, bacteria, fungi, viruses and mites thrive. This system humidity provides a healthier environment for your woodwork, furniture, plants, pets, and your family.

- Reduces heating costs
- Protects valuables such as woodwork, furniture, artwork, and electronics
- Great for indoor plants and pets

FEATURES

- Automatic digital display included for easier operation
- Home Sizes up to 2,800 Sq. Ft
- Easy to remove from housing and easy to install
- Reinforced tabs and heat treated reinforced plastic
- 10 year warranty



This Product Controls

1 2 3 4

The EPA has ranked indoor air pollution among the top five environment dangers to the public.



HUMIDIFIER



ENERGY AWARE

APPLICATION

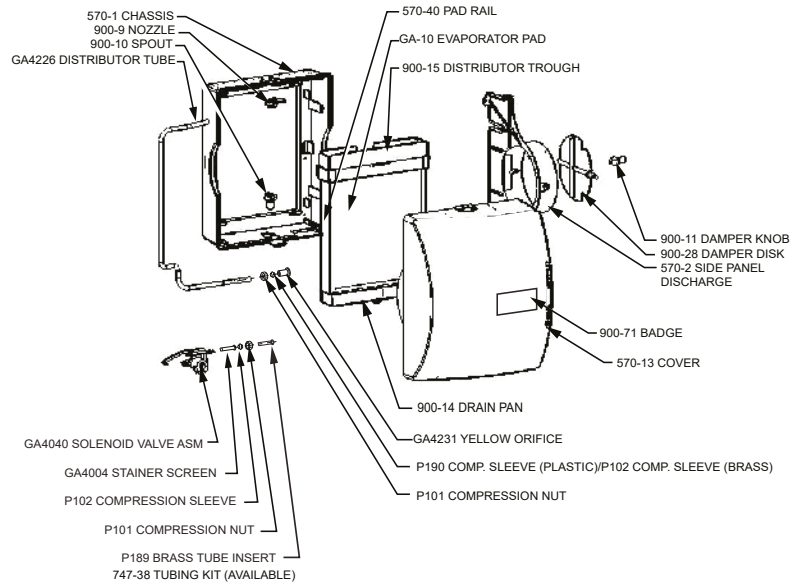
- Reduce dry or itchy skin caused by dry air
- More comfortable indoor air that feels warmer



570 Performance Baseline Criteria

Outside Design Temp: 0° F (-18° C)	Inside Design: RH 30%	Loose (.75 ACH): 1115 Sq. Ft
Outside Design: RH 70%	Ceiling Height: 8'	Average (.50 ACH): 1650 Sq. Ft
Inside Design Temp: 70° F (21° C)	Plenum Temperature: 120° F (49° C)	Tight (.30 ACH): 2800 Sq. Ft.

PRODUCT SCHEMATIC



INSTALLATION INSTRUCTIONS

1. Install on either the supply or return plenum of a forced air handling system. Cut out a rectangle 8-7/8" wide by 9-1/2" tall. Extend horizontal center line of cut out to the adjacent plenum. Cut a 6" hole 10" to 15" from side of humidifier, on cabinet center line, using connecting collar as guide.
2. Slide top side in first, then slide chassis down. Level chassis and install center screws. If by-pass pipe installs to opposite side of chassis, bend clip on chassis, remove side discharge, and reinstall discharge to opposite side of chassis. Install remaining four corner screws.
3. Connect by-pass pipe to collar and humidifier cabinet. Using holes at top and bottom of side panel discharge, pierce 2 self tapping screws through by-pass pipe.
4. Mount the self tapping saddle valve or code valve on either a cold or a hot water pipe. Connect 1/4" O.D. tubing to the saddle valve.
5. Connect 1/4" water supply tube to brass filter at in let of solenoid. Turn damper knob to winter (open) position. Turn on water supply and check operation of humidifier. Set humidistat to a demand setting. With the furnace off, the solenoid valve should be closed.
6. Start the furnace, the solenoid valve should open when the blower or burner circuit is energized. Check flow of water through distributor trough and evaporator pad. Leave humidistat set at the recommended setting.
7. Connect drain hose to 1/2" spout on humidifier cabinet using hose clamp. Run 1/2" hose to suitable drain such as floor drain, sewer or laundry sink.
8. Wire unit using appropriate diagram in accordance with local ordinances.

SAFETY NOTES

- Do not use plastic tubing on hot water or in contact with any hot plenum surface or duct.
- Installation of this saddle valve must meet or exceed local codes and ordinances.

